

ALMA Ref. EL07B

Chiropractic treatment table equipped with 2 motors for height adjustment and distraction function. It offers a wide variety of options, from drops, flexion and distraction. 4 drop sections: cervical, thoracic, lumbar and pelvic. Abdominal breakaway design. Removable flexion control handle. Durable, antibacterial upholstery.

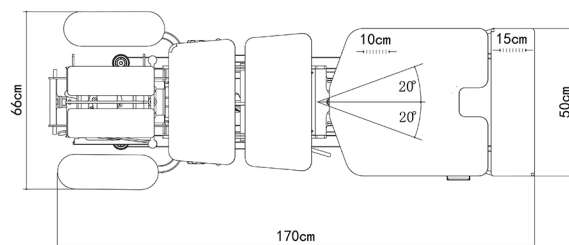
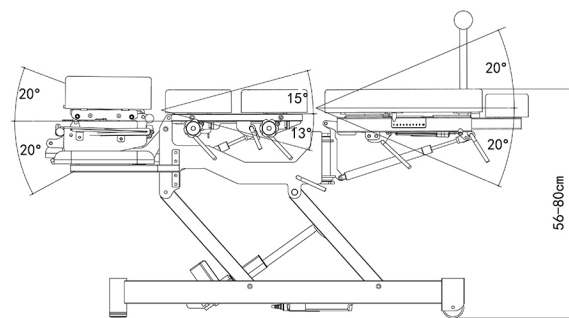


EL07B.2.A66.GF



Features:

- Electric Hi-Lo operation and traction operation by foot switch
- Height and width adjustable padded headrest
- Auxiliary straps included
- Four drop sections: Cervical, Thoracic, Lumbar, Pelvic
- Abdominal breakaway design, the chest section can be raised or lowered.
- This table has traction and can be used by people of different heights and be able to lift up to 250kgs working weight from its lowest height.
- Sleek design with two rounded frame legs and two fixed wheels
- Reliable TiMOTION motor; 75mm wheels
- Height range from 56cm to 80cm in approx 30 seconds
- Foam thickness 7cm; Foam density: 100kg/m³
- Upholstery: Heavy duty PVC vinyl that is fire, stain, mildew, oil, water and wear resistant
- Certification: CE, FDA, ISO 13485:2016
- Weight Capacity: 250KG
- Warranty: 1 year for frame, electrical components and upholstery (except for misuse).



VIDEO



2 Motors



Certicate



250KG Max Loading



172 cm



53 cm



56-80 cm



0° to +20°



0° to +30°



-15° to +18°



-22° to +22°



96 kg



1.15 m³



182 x 83 x 76 cm